



# Composite Decking

## PRODUCT CATALOGUE



For the complete range of finishes, please scan the QR code below.



*Redwood*

WOODGRAIN



*Maple*

WOODGRAIN



*Teak*

WOODGRAIN



*Grey*

WOODGRAIN



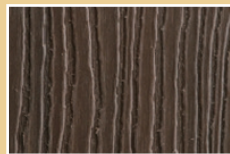
*Charcoal*

WOODGRAIN



*Antique*

SMOOTH



*Coffee*

WOODGRAIN



V 1.0 March 2024

Follow us online @ idas.aus



Experience the ideal alternative to natural timber with our latest collection of Composite Decking.

Available in 8 unique colours, our first-class decking is crafted from a blend of **eco-friendly** thermoplastic and wood fibres, resulting in superior **strength** and **durability**.

Gone are the days of high-maintenance flooring, because with our **weather stable** composite decking, you get to enjoy all the benefits of a stunning outdoor area **without the hassles** of constant painting, oiling, and sealing.



BACKED BY

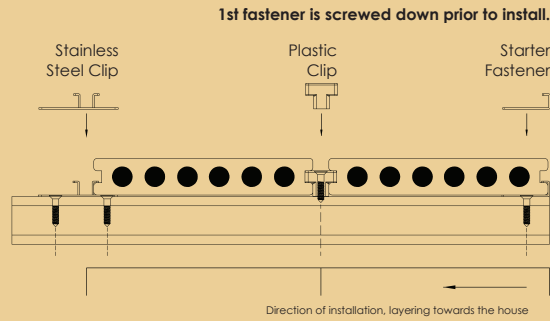
**15**  
YEARS  
LIMITED

WARRANTY

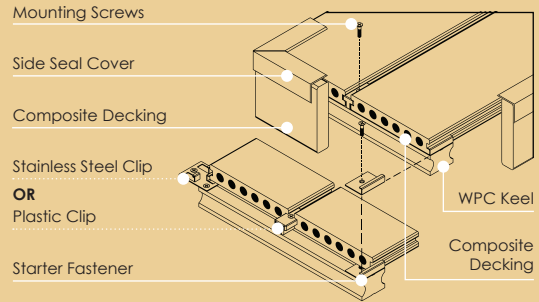


**Fastener Types**

Our collection of decking fasteners allows for quick and seamless installation. Our hidden fasteners are available in either Plastic **OR** Stainless Steel options.



**Diagram of Decking Components**



For more detailed information, please scan the QR code.

**KEY FEATURES**



**UV & weather stable**

Specifically developed to withstand the harsh Australian climate.



**Extremely durable**

Resistant to shrinking from heat as well as warping and rotting from moisture.



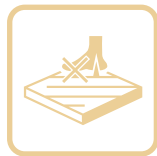
**Slip resistant**

R11 & P5 anti-slip rated, making it a safe choice for families with children and pets.



**Environmentally friendly**

Made from a large per cent of reclaimed and recycled materials.



**Splinter-free**

Does not contain any wood, ensuring a smooth and safe surface for many years to come.



**Water resistant & fire retardant**

Specially designed to protect floors against external weather penetration with a bushfire rating of BAL-29.



**Simple installation**

Our quick and easy fixing system allows for fuss free installation.

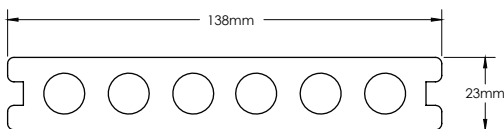


**Easy to maintain**

Doesn't need to be painted, oiled, or sealed.

**SPECIFICATIONS**

**Dimensions**



**Available in:**

Lengths - 2200, 2900 & 5400mm  
Widths - 138mm

**Weight**

- 2.97kg/m for our standard composite decking and,
- 3.92kg/m for our solid composite decking

**Materials**

WPC (Wood Plastic Composite)



For further information, please scan the QR code

A quality product from **demtech**